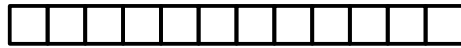


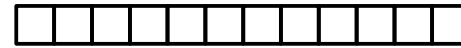
**B**

VS 10-75 CG OPTIMA  
VS 40-150 CG OPTIMA SUP  
VS 40-150 CG OPTIMA SUP-EXH

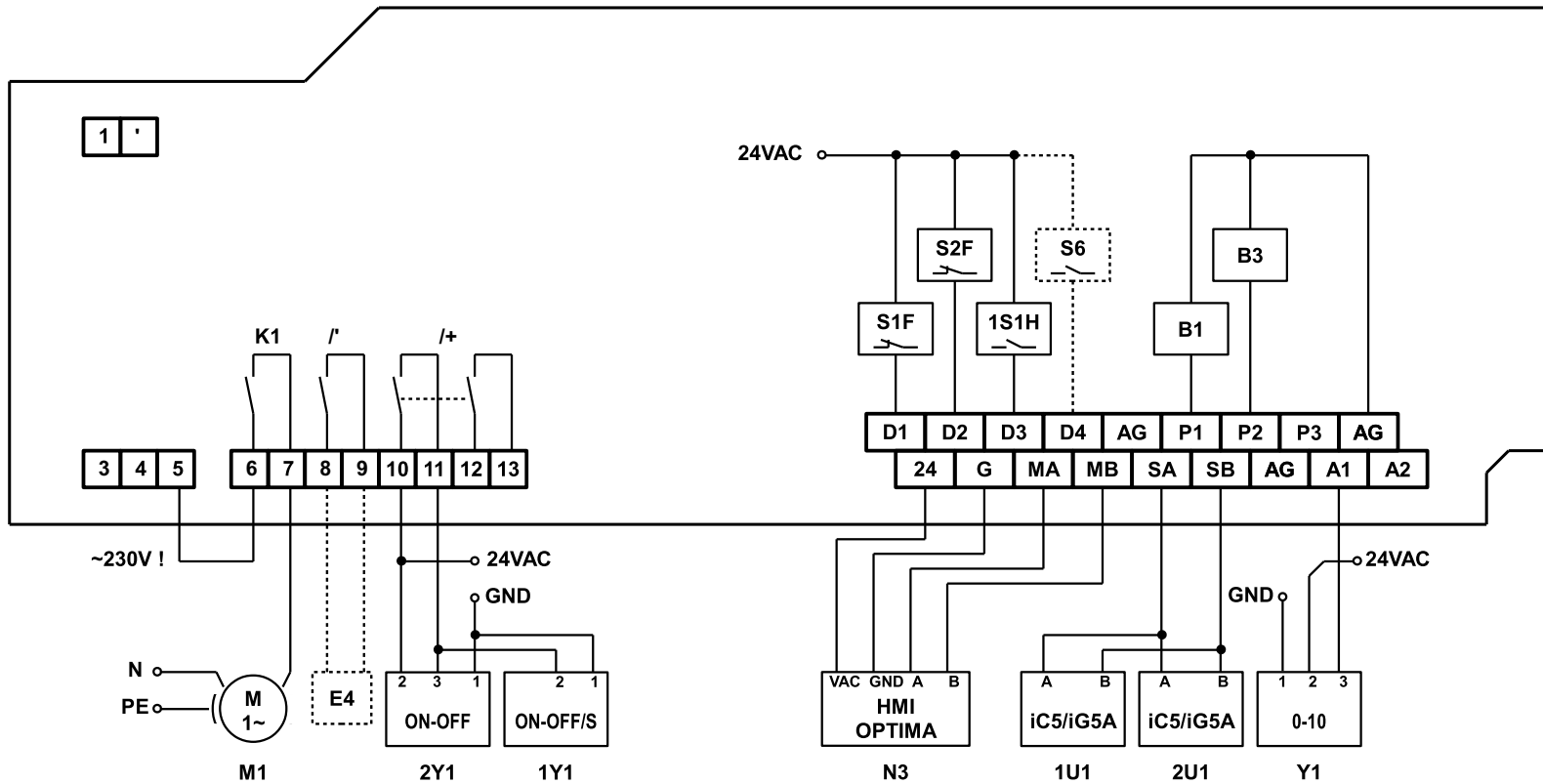
APPLICATION: AD1-S / AD1-R



common ground terminal GND



common terminal 24VAC



**B**

VS 10-75 CG OPTIMA  
VS 40-150 CG OPTIMA SUP  
VS 40-150 CG OPTIMA SUP-EXH

RS485 / Modbus connection details

