



 **VENTUS**  
**PRO**

| ROOF TOP PVS RO TR



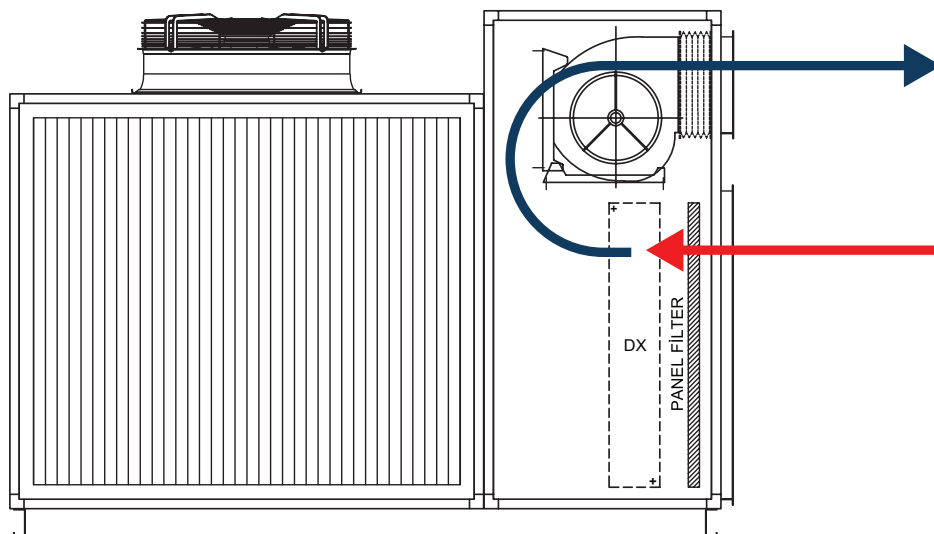


## GENERAL DESCRIPTION

PVS RO TR unit are factory assembled, internally wired, fully refrigerant charged and thoroughly tested before delivery. Designed to operate at severe ambient temperature up to 52°C without tripping.

## TECHNICAL SPECIFICATION

- » Double skin 25mm panels are filled with rockwool for heat and acoustic insulation.
- » The inner and outer walls are made of corrosionresistant galvanized steel.
- » Stainless steel and insulated condensation pan.
- » Electrostatic powder pain coating
- » G4(EU4) quality panel filter is used as standard, optional M5(EU5)-F7(EU7)-F9(EU9) filter can be preferred.
- » AMCA certified centrifugal fans used. Totally Enclosed Fan Cooled, IP-55 protected with Class F insulation.
- » Coils are aluminium finned, copper pipe coil which is well performance/energy consumption optimised and able to operate in wide temperature range. The coil designed for air velocity below 2,5m/s in order to ensure high energy efficiency and proper drain of condensated water.
- » High efficiency scroll compressors use environmentally conscious R410A refrigerant, which does not damage the ozone layer. Condensation and evaporation temperatures have been determined to allow the device to operate in a wide range of climatic conditions and to keep energy efficiency at the highest level.
- » Build-in control panel. Protection class IP54 (standard) and IP55 (option).





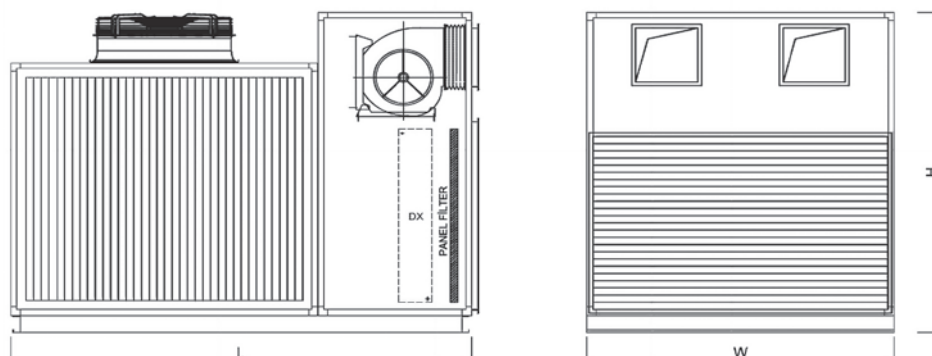
PVS RO TR		37	55	64	80	94	108	122	138	153	176	200
<b>COOLING</b>												
Nominal Cooling Capacity (1)	kW	37,0	55,0	64,2	80,2	94,4	108,4	122,4	137,5	152,6	176,3	200
Sensible Cooling Capacity (1)	kW	25,1	37,8	43,1	54,5	63,9	73,1	84,4	94,9	106	122	136
Total Power Consumption (1)	kW	12,6	18,8	21,6	26,2	30,0	33,6	36,7	42,6	49,2	56,0	70,0
Nominal Cooling Capacity (2)	kW	32,8	49,4	57,6	70,8	83,8	96,6	109,4	123,1	136,8	157,4	178,0
Sensible Cooling Capacity (2)	kW	23,4	35,3	40,1	50,8	59,3	68,1	78,7	88,5	98,6	113	127,0
Total Power Consumption (2)	kW	15,4	22,5	25,8	31,4	35,9	40,4	44,5	51,4	59,0	67,3	76,8
Nominal Cooling Capacity (3)	kW	31,9	48,2	56,2	68,8	81,6	94,1	106,6	119,9	133,2	153,2	173,2
Sensible Cooling Capacity (3)	kW	23,1	34,8	39,7	50,2	58,5	67,3	77,7	87,4	97,4	112,0	125,0
Total Power Consumption (3)	kW	16,0	23,2	26,6	32,6	37,1	41,9	46,2	53,3	61,0	69,7	79,6
Nominal Cooling Capacity (4)	kW	31,0	47,0	54,8	66,8	79,2	91,5	103,8	116,9	130,0	149,4	168,8
Sensible Cooling Capacity (4)	kW	22,7	34,2	38,9	49,3	57,5	66,1	76,3	85,9	95,7	110,0	123,0
Total Power Consumption (4)	kW	16,7	24,1	27,5	34,7	38,5	43,4	47,9	54,2	63,2	72,2	82,4
<b>COMPRESSOR</b>												
Compressor Type	-											
Compressor Quantity	-	2	2	2	2	2	2	2	2	2	2	2
Number of Circuits	-	2	2	2	2	2	2	2	2	2	2	2
Refrigerant	-											
<b>EVAPORATOR FAN</b>												
Nominal Air Flow	m³/h	5600	8300	9400	12200	14100	16600	18800	21200	23800	27100	30500
Nominal External Static Pressure	Pa	250	250	250	250	250	250	250	250	250	250	250
Fan Type	-											
Number of Fans	-	1	1	1	1	2	2	2	2	2	2	1
<b>CONDENSER FAN</b>												
Fan Type												
Number of Fans		2	2	2	2	2	2	2	3	4	4	4
<b>POWER SUPPLY</b>												
<b>CASING</b>												
<b>DIMENSIONS</b>												
W	mm	1530	1735	1735	1835	2125	2125	2125	2125	2125	2125	2125
L	mm	1955	2205	2275	2440	2535	2940	2940	3115	3115	3625	4825
H	mm	1860	2030	2030	2180	2230	2360	2455	2575	2825	2930	2560
Weight	kg	574	728	759	935	1013	1144	1270	1403	1476	1724	2083

(1) Outdoor Temperature 35 °C DB - Indoor Temperature 26,7 °C DB / 19,4 °C WB

(2) Outdoor Temperature 46 °C DB - Indoor Temperature 26,7 °C DB / 19,4 °C WB

(3) Outdoor Temperature 48 °C DB - Indoor Temperature 26,7 °C DB / 19,4 °C WB

(4) Outdoor Temperature 50 °C DB - Indoor Temperature 26,7 °C DB / 19,4 °C WB





**VTS CLIMA LLC**

P.O.Box 76849  
Al Asmawi Warehouse 3  
Dubai Industrial City  
Dubai, UAE  
+971 (04) 8811945  
e-mail: dubai@vtsgroup.com

**VTS Clima LLC - Abu Dhabi Branch**

P.O.Box # 36060  
1st Floor Al Hamed Building  
Muroor Road, Abu Dhabi-U.A.E  
Tel. + 971 (02) 6276101  
e-mail: abudhabi@vtsgroup.com

Due to continuous improvement of the products, VTS reserves right to implement modifications.  
Some of technical data and descriptions may vary from the actual products specification.  
Before placing the order, please, confirm all technical specification with VTS sales representative.

[www.vtsgroup.com](http://www.vtsgroup.com)