

HOLDER SET FOR WING 100 AND WING 150/200

Installation and operating instructions

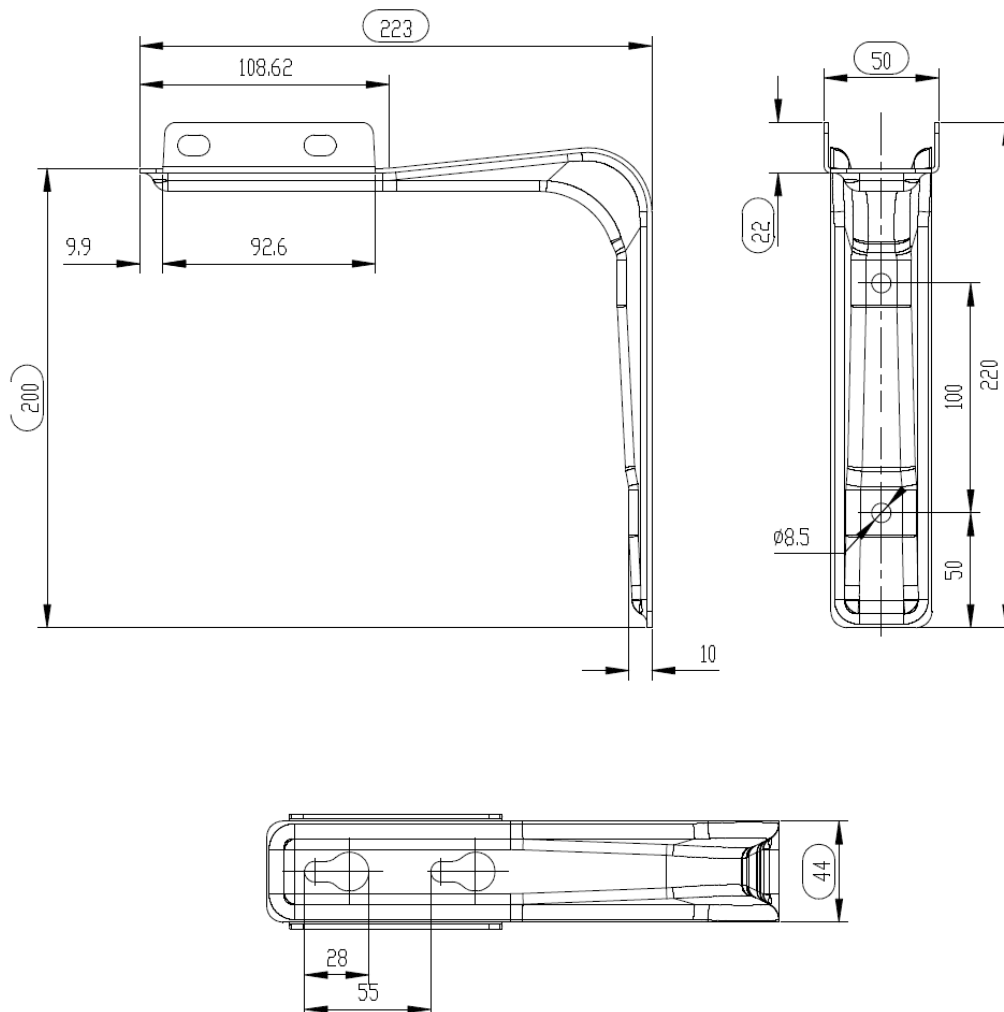
1. APPLICATION

The set of holder is dedicated for installation of air curtains WING 100 (product 1-4-2801-0180) and WING 150/200 (product 1-4-2801-0181). Holder are used for simple, quick and aesthetic assembly of the WING air curtain that can be performed on a wall in both horizontal and vertical position.

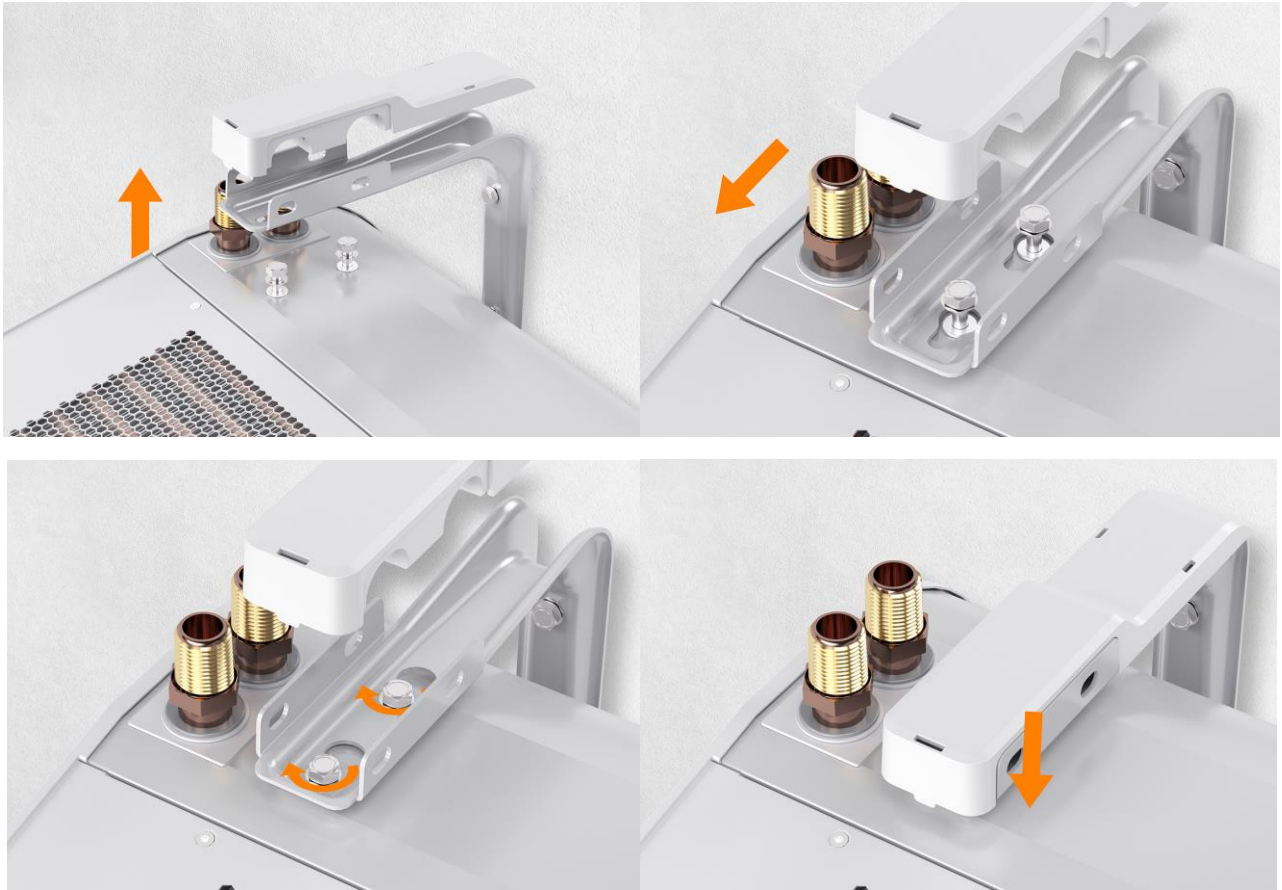
2. SCOPE OF THE PACKAGE

| Holder set WING 100 (1-4-2801-0180) | Holder set WING 150/200 (1-4-2801-0181) |
|-------------------------------------|---|
| 2 x Handle | 3 x Handle |
| 2 x Handle's cover | 3 x Handle's cover |
| 4 x Screw M8x20mm | 6 x Screw M8x20mm |
| 4 x Spring washer | 6 x Spring washer |
| 4 x Plain washer | 6 x Plain washer |

3. DIMENSIONS



4. INSTALLATION



The installation shown in the pictures above:

1. Fit the screws into the holes in the upper part of the WING casing. Screw in the screws by making a few turns
2. Put the holders through the previously screwed-in screws using a larger part of the hole in the holders. Move the air curtain WING forward so that the screw stays on the smaller part of the hole in the holder.
3. Then tighten the screws thoroughly
4. At the end, the cover should be put on the holders

The use of advanced technology and high quality standard of our products is the result of continuous development of our products. For this reason, there may be differences between attached documentation and functionality of your device. Therefore please understand that the data contained in it, drawings and descriptions cannot be the basis for any legal claims.